

Status Indicator Lights

for Synergy™ Consoles



watson

Versatile, Cost and Energy Efficient

Make it easy for your team to understand the status of active dispatch calls. The Watson Status Indicator Light provides supervisor and general alerts to facilitate noise-free and focused response. Pre-wired and easy to install, the assembled stack light may be linked to your phone, radio or other software application. New energy saving LEDs last up to 50,000 hours, prism cut lenses enhance 360° visibility and a dual reflection system diffuses light for vivid illumination.

Connecting Your Light

To connect your Status Indicator Light to an in-house phone, radio, or software application, contact the applicable service provider.

Alternative Connections

If your service provider cannot supply you with a connection, or you intend to use the light independent of a software application, a third party interface is available. Please contact the vendor directly: US Digital Designs, www.stationalerting.com, 877/551-8733.

Part Numbers & Pricing

TXXSTAT-2L

Status Light 2-Color LED 24V AC/DC

Red / Yellow

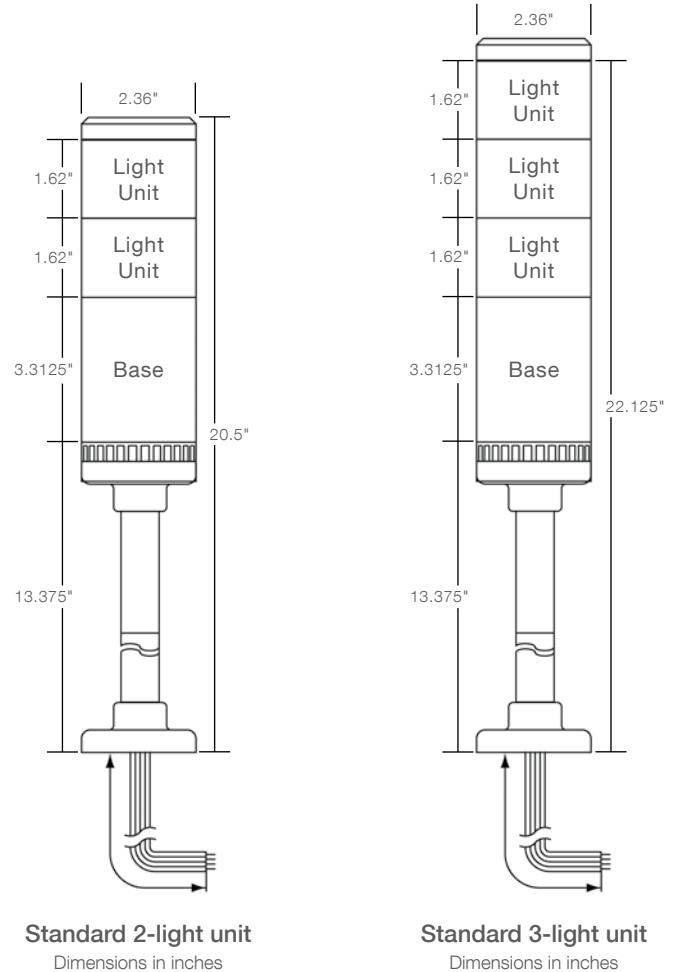
\$750 List

TXXSTAT-3L

Status Light 3-Color LED 24V AC/DC

Red / Yellow / Green

\$825 List



Application Data

Type of Light/ Part Number	Voltage AC/DC	Power Consumption	Average Lamp Life
2 LED / TXXSTAT-2L	24V	3.4w	50,000 Hours
3 LED / TXXSTAT-3L	24V	3.8w	50,000 Hours